

JUMO GmbH & Co. KG

Delivery address: Mackenrodtstraße 14
36039 Fulda, Germany
Postal address: 36035 Fulda, Germany
Phone: +49 661 6003-0
Fax: +49 661 6003-607
E-mail: mail@jumo.net
Internet: www.jumo.net

JUMO Instrument Co. Ltd.

JUMO House
Temple Bank, Riverway
Harlow, Essex CM20 2DY, UK
Phone: +44 1279 635533
Fax: +44 1279 635262
E-mail: sales@jumo.co.uk
Internet: www.jumo.co.uk

JUMO Process Control, Inc.

8 Technology Boulevard
Canastota, NY 13032, USA
Phone: 315-697-5866
1-800-554-JUMO
Fax: 315-697-5867
E-mail: info@jumo.us
Internet: www.jumo.us

**JUMO FOODtemp****RTD insertion temperature probes**

- for temperatures from -50 ... +260 °C
- Steam-tight and pressure-resistant
- High mechanical strength
- For use in the food industry
- Available with multiple measurement points

Due to their special construction, these robust, steam-tight RTD insertion temperature probes are especially suited to smoking, cooking, boiling, and baking processes in all food processing and food preservation applications. Further application areas are autoclaves and sterilizers.

The stainless steel thermowell is available with either a concentric or an oblique insertion tip (approx. 25° or 45°).

All versions have a highly vibration resistant design. The handles are oil-resistant and acid-proof.

As a measurement insert, a Pt100 temperature sensing element according to EN 60751, class B, is used in two-wire circuit or three-wire circuit as part of the standard equipment.

**Technical Data****Cable termination**

Stripped wire ends, with ferrules,
also available with contacts or multi-pole connector

Cable

Silicone, permissible ambient temperature range -50 ... +180 °C
PTFE, permissible ambient temperature range -50 ... +260 °C
Shielded cable optionally available

Handle

PPS plastic handle, ambient temperature max. +200 °C
Silicone handle, ambient temperature max. +200 °C
PTFE handle, ambient temperature max. +260 °C
FPM handle, ambient temperature max. +200 °C
PEEK handle, ambient temperature max. +260 °C

Thermowell

Stainless steel 1.4571, Ø 4 mm, Ø 4.5 mm

Thermowell tip

Concentric
Oblique

Measurement insert

Pt100 temperature sensing element according to DIN EN 60751, Class B, two-wire circuit

Protection class

IP67

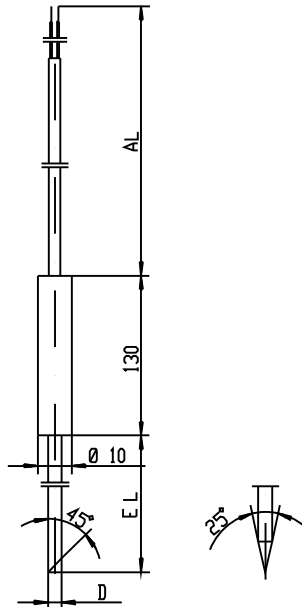
JUMO GmbH & Co. KG
 Delivery address: Mackenrodtstraße 14
 36039 Fulda, Germany
 Postal address: 36035 Fulda, Germany
 Phone: +49 661 6003-0
 Fax: +49 661 6003-607
 E-mail: mail@jumo.net
 Internet: www.jumo.net

JUMO Instrument Co. Ltd.
 JUMO House
 Temple Bank, Riverway
 Harlow, Essex CM20 2DY, UK
 Phone: +44 1279 635533
 Fax: +44 1279 635262
 E-mail: sales@jumo.co.uk
 Internet: www.jumo.co.uk

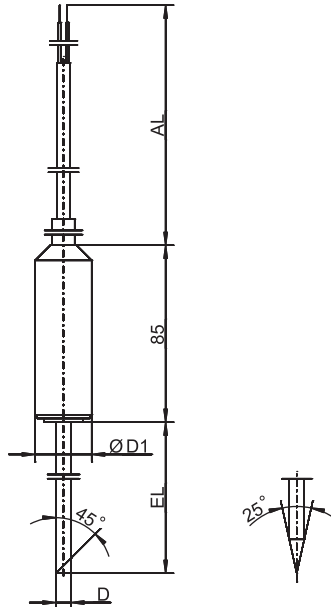
JUMO Process Control, Inc.
 8 Technology Boulevard
 Canastota, NY 13032, USA
 Phone: 315-697-5866
 1-800-554-JUMO
 Fax: 315-697-5867
 E-mail: info@jumo.us
 Internet: www.jumo.us



Dimensions



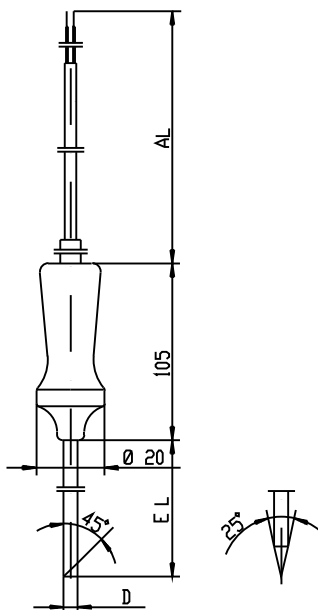
Basic type 902350/22
Basic type 902350/23



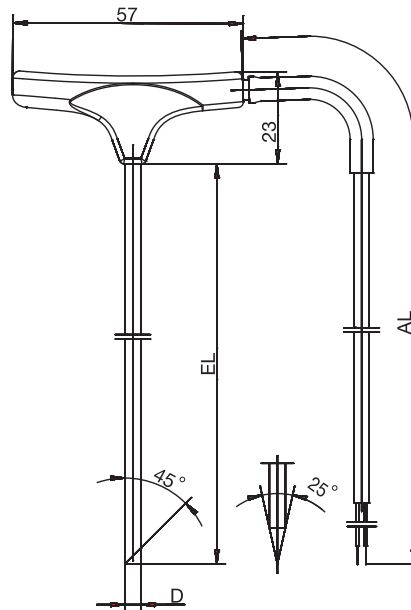
Basic type 902350/33
Ø D1 = 12 mm
Basic type 902350/63
Ø D1 = 15 mm



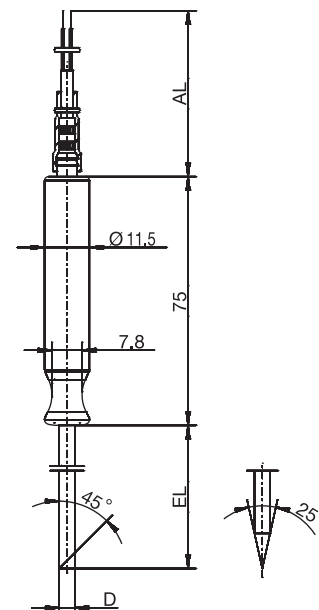
Basic type 902350/37
Basic type 902350/38



Basic type 902350/43



Basic type 902350/82
Basic type 902350/83



Basic type 902350/84

JUMO GmbH & Co. KG
 Delivery address: Mackenrodtstraße 14
 36039 Fulda, Germany
 Postal address: 36035 Fulda, Germany
 Phone: +49 661 6003-0
 Fax: +49 661 6003-607
 E-mail: mail@jumo.net
 Internet: www.jumo.net

JUMO Instrument Co. Ltd.
 JUMO House
 Temple Bank, Riverway
 Harlow, Essex CM20 2DY, UK
 Phone: +44 1279 635533
 Fax: +44 1279 635262
 E-mail: sales@jumo.co.uk
 Internet: www.jumo.co.uk

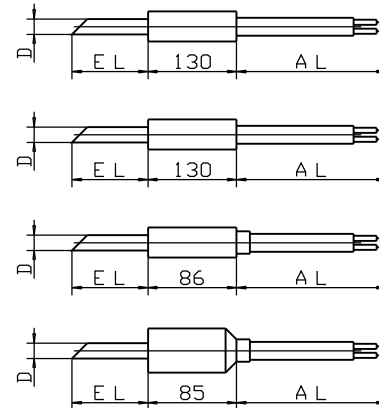
JUMO Process Control, Inc.
 8 Technology Boulevard
 Canastota, NY 13032, USA
 Phone: 315-697-5866
 1-800-554-JUMO
 Fax: 315-697-5867
 E-mail: info@jumo.us
 Internet: www.jumo.us



Order details: RTD insertion temperature probes

(1) Basic type

	902350/22	RTD insertion temperature probes with silicone handle Ø 10 mm and silicone cable
	902350/23	RTD insertion temperature probes with silicone handle Ø 10 mm and PTFE cable
	902350/33	RTD insertion temperature probes with PTFE handle Ø D1 = 12 mm and PTFE cable
	902350/63	RTD insertion temperature probes with PTFE handle Ø D1 = 15 mm and PTFE cable
	(2) Operating temperature range in °C	
x x x x	380	-50 ... +200 °C
x x x x	386	-50 ... +260 °C
	(3) Measurement insert	
x x x x	1001	1× Pt100 in three-wire circuit
x x x x	1003	1× Pt100 in two-wire circuit
x x x x	1011	1× Pt100 in four-wire circuit
x x x x	2001	2× Pt100 in three-wire circuit (not for silicone cable and thermowell diameter D = 4 mm)
x x x x	2003	2× Pt100 in two-wire circuit
	(4) Tolerance class according to DIN EN 60751	
x x x x	1	Class B (standard)
x x x x	2	Class A
	(5) Thermowell diameter D in mm	
x x x x	4	Ø 4 mm
x x x x	4,5	Ø 4.5 mm
	(6) Insertion length EL in mm	
x x x x	100	100 mm
x x x x	150	150 mm
x x x x	200	200 mm
	(7) Insertion tip	
x x x x	2	Concentric
x x x x	3	Oblique
	(8) Cable termination	
x x x x	11	Ferrules
x x x x	80	Multi-pole connector (specify type in plain text)
	(9) Cable length AL in mm (AL 500 ... 500000 mm)	
x x x x	4000	4000 mm (standard)
x x x x	...	Please specify in plain text (500 mm steps)
	(10) Extra codes	
x x x x	000	without extra codes
x x x x	317	Shielded cable



Order code	(1)	(2)	(3)	(4)	(5)	(6)	(7)	(8)	(9)	(10)									
Order example	902350/22	-	380	-	1003	-	1	-	4	-	100	-	3	-	11	-	4000	/	000

JUMO GmbH & Co. KG
 Delivery address: Mackenrodtstraße 14
 36039 Fulda, Germany
 Postal address: 36035 Fulda, Germany
 Phone: +49 661 6003-0
 Fax: +49 661 6003-607
 E-mail: mail@jumo.net
 Internet: www.jumo.net

JUMO Instrument Co. Ltd.
 JUMO House
 Temple Bank, Riverway
 Harlow, Essex CM20 2DY, UK
 Phone: +44 1279 635533
 Fax: +44 1279 635262
 E-mail: sales@jumo.co.uk
 Internet: www.jumo.co.uk

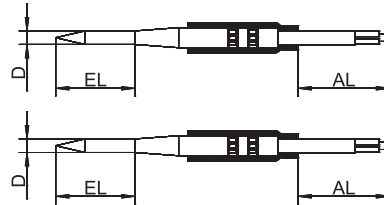
JUMO Process Control, Inc.
 8 Technology Boulevard
 Canastota, NY 13032, USA
 Phone: 315-697-5866
 1-800-554-JUMO
 Fax: 315-697-5867
 E-mail: info@jumo.us
 Internet: www.jumo.us



Order details: RTD insertion temperature probes

(1) Basic type

	902350/37	Miniature RTD insertion temperature probes with FPM handle Ø 6.5 mm and silicone cable
	902350/38	Miniature RTD insertion temperature probes with FPM handle Ø 6.5 mm and shielded PTFE cable
		(2) Operating temperature range in °C
x x	380	-50 ... +200 °C
		(3) Measurement insert
x	1001	1× Pt100 in three-wire circuit
x x	1003	1× Pt100 in two-wire circuit
x	1011	1× Pt100 in four-wire circuit
		(4) Tolerance class according to DIN EN 60751
x x	1	Class B (standard)
x x	2	Class A
		(5) Thermowell diameter D in mm
x x	2.5	4 mm, stepped down to 2.5 mm
		(6) Insertion length EL in mm
x x	30	30 mm
x x	50	50 mm
x x	80	80 mm
x x	100	100 mm (standard)
		(7) Cable termination
x x	11	Ferrules
x x	80	Multi-pole connector (specify type in plain text)
		(8) Cable length AL in mm (AL 500 ... 500000 mm)
x x	4000	4000 mm (standard)
x x	...	Please specify in plain text (500 mm steps)



	(1)	(2)	(3)	(4)	(5)	(6)	(7)	(8)	
Order code	<input type="text"/>	-	<input type="text"/>	-	<input type="text"/>	-	<input type="text"/>	-	<input type="text"/>
Order example	902350/37	-	380	-	1003	-	1	-	2.5
		-	100	-	11	-	4000		

JUMO GmbH & Co. KG
 Delivery address: Mackenrodtstraße 14
 36039 Fulda, Germany
 Postal address: 36035 Fulda, Germany
 Phone: +49 661 6003-0
 Fax: +49 661 6003-607
 E-mail: mail@jumo.net
 Internet: www.jumo.net

JUMO Instrument Co. Ltd.
 JUMO House
 Temple Bank, Riverway
 Harlow, Essex CM20 2DY, UK
 Phone: +44 1279 635533
 Fax: +44 1279 635262
 E-mail: sales@jumo.co.uk
 Internet: www.jumo.co.uk

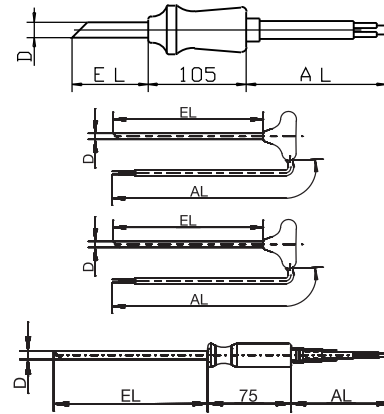
JUMO Process Control, Inc.
 8 Technology Boulevard
 Canastota, NY 13032, USA
 Phone: 315-697-5866
 1-800-554-JUMO
 Fax: 315-697-5867
 E-mail: info@jumo.us
 Internet: www.jumo.us



Order details: RTD insertion temperature probes

(1) Basic type

	902350/43	RTD insertion temperature probes with PPS plastic handle Ø 20 mm and PTFE cable
	902350/82	RTD insertion temperature probes with PEEK handle and silicone cable
	902350/83	RTD insertion temperature probes with PEEK handle and PTFE cable
	902350/84	RTD insertion temperature probes with PEEK handle and PTFE cable
	(2) Operating temperature range in °C	
x x	380	-50 ... +200 °C
	386	-50 ... +260 °C
	(3) Measurement insert	
x x x x	1001	1× Pt100 in three-wire circuit
x x x x	1003	1× Pt100 in two-wire circuit
x x x x	1011	1× Pt100 in four-wire circuit
x x	2001	2× Pt100 in three-wire circuit (not for silicone cable and thermowell diameter D = 4 mm)
x x x	2003	2× Pt100 in two-wire circuit
	(4) Tolerance class according to DIN EN 60751	
x x x x	1	Class B (standard)
x x x x	2	Class A
	(5) Thermowell diameter D in mm	
x x x x	4	Ø 4 mm
	4,5	Ø 4.5 mm
	(6) Insertion length EL in mm	
x x x x	100	100 mm (standard)
x x x x	150	150 mm
	(7) Insertion tip	
x x x x	2	Concentric
x x x x	3	Oblique
	(8) Cable termination	
x x x x	11	Ferrules
x x x x	80	Multi-pole connector (specify type in plain text)
	(9) Cable length AL in mm (AL 500 ... 500000 mm)	
x x x x	4000	4000 mm (standard)
x x x x	...	Please specify in plain text (500 mm steps)
	(10) Extra codes	
x x x x	000	without extra codes
x	317	Shielded cable



Order code	(1)	(2)	(3)	(4)	(5)	(6)	(7)	(8)	(9)	(10)
Order example	902350/83	- 386	- 1001	- 1	- 4.5	- 100	- 2	- 03	- 4000	/ 000

JUMO GmbH & Co. KG

Delivery address: Mackenrodtstraße 14
36039 Fulda, Germany
Postal address: 36035 Fulda, Germany
Phone: +49 661 6003-0
Fax: +49 661 6003-607
E-mail: mail@jumo.net
Internet: www.jumo.net

JUMO Instrument Co. Ltd.

JUMO House
Temple Bank, Riverway
Harlow, Essex CM20 2DY, UK
Phone: +44 1279 635533
Fax: +44 1279 635262
E-mail: sales@jumo.co.uk
Internet: www.jumo.co.uk

JUMO Process Control, Inc.

8 Technology Boulevard
Canastota, NY 13032, USA
Phone: 315-697-5866
1-800-554-JUMO
Fax: 315-697-5867
E-mail: info@jumo.us
Internet: www.jumo.us

**Stock versions**

(1)	(2)	(3)	(4)	(5)	(6)	(7)	(8)	(9)	(10)	Part No.
902350/22	- 380	- 1003	- 1	- 4	- 100	- 3	- 11	- 4000	/ 000	00338150
902350/22	- 380	- 1001	- 1	- 4	- 100	- 2	- 11	- 4000	/ 317	00338153
902350/23	- 380	- 1003	- 1	- 4	- 100	- 3	- 11	- 4000	/ 000	00085418
902350/23	- 380	- 1003	- 1	- 4	- 100	- 2	- 11	- 4000	/ 000	00085420
902350/43	- 380	- 1003	- 1	- 4	- 100	- 3	- 11	- 4000	/ 000	00083365
902350/43	- 380	- 1001	- 1	- 4	- 100	- 3	- 11	- 4000	/ 000	00083366
902350/43	- 380	- 1003	- 1	- 4	- 100	- 2	- 11	- 4000	/ 000	00083791
902350/43	- 380	- 2001	- 1	- 4	- 100	- 2	- 11	- 4000	/ 000	00089569
902350/43	- 380	- 1001	- 1	- 4	- 100	- 2	- 11	- 4000	/ 000	00083792
902350/63	- 386	- 1001	- 1	- 4	- 100	- 3	- 11	- 4000	/ 000	00325270
902350/63	- 386	- 1001	- 1	- 4	- 100	- 2	- 11	- 4000	/ 000	00333089
902350/83	- 386	- 1001	- 1	- 4	- 100	- 3	- 11	- 4000	/ 000	00523228
902350/84	- 386	- 1001	- 1	- 4	- 100	- 3	- 11	- 4000	/ 000	00523235
902350/84	- 386	- 1001	- 1	- 4	- 100	- 2	- 11	- 4000	/ 000	00523236